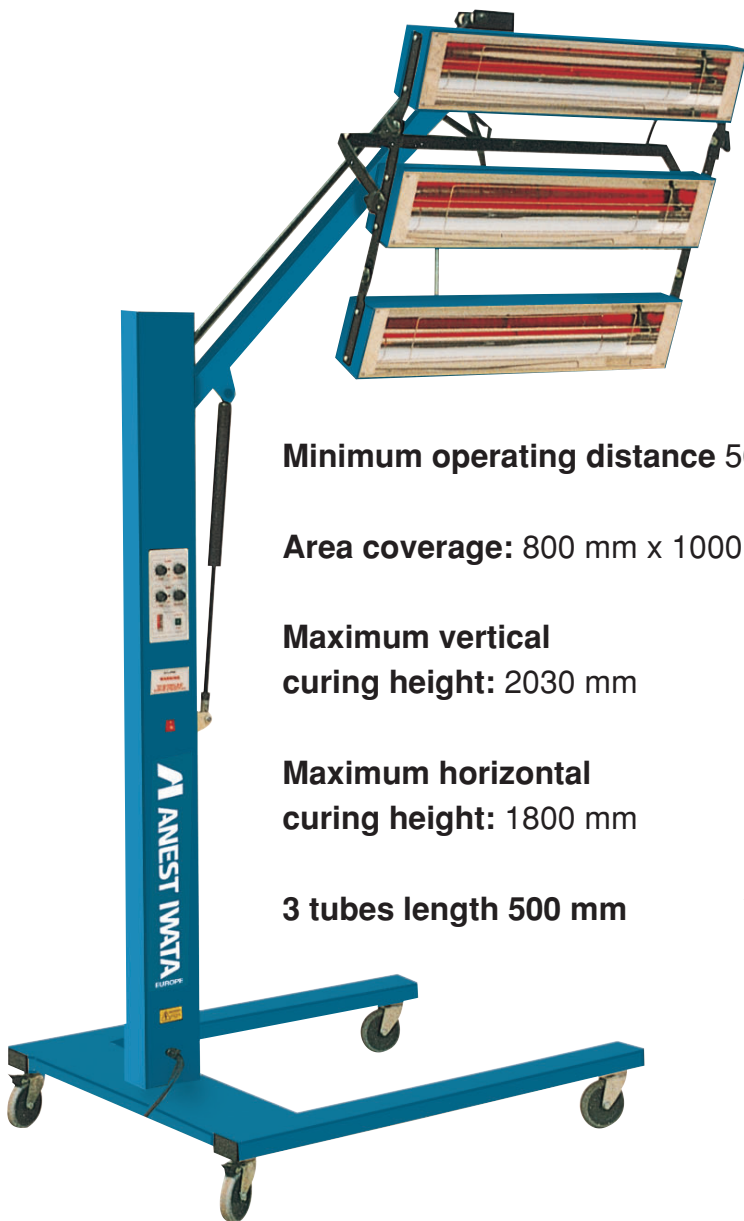


Heat T.E.C. 3 KW

INFRARED DRYING SYSTEMS
short waves



Available with distance sensor
or with distance
and temperature sensor



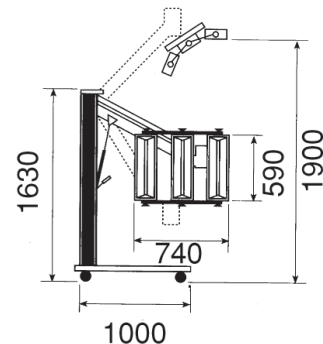
Minimum operating distance 500 mm

Area coverage: 800 mm x 1000 mm

**Maximum vertical
curing height: 2030 mm**

**Maximum horizontal
curing height: 1800 mm**

3 tubes length 500 mm



Average curing specifications

- filler/stopper 4-6 minutes
- primer 6-8 minutes
- Top coat 10-12 minutes

Electrical specifications

- 220/240 Volt 3KW
- 50Hz single phase - 12.50 amps

